

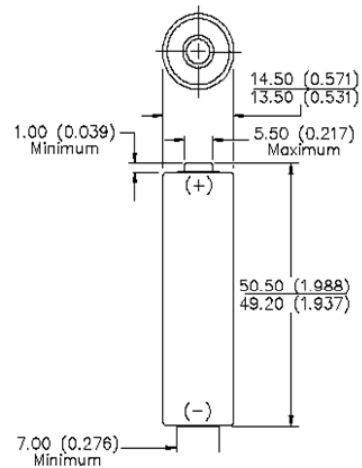
## Li-FeS<sub>2</sub> Batteries

Model	Nominal Voltage (V)	Capacity		Dimensions		Cut-off Voltage (V)	Weight (g)
		Typical (mAh)	Nominal (mAh)	Diameter (mm)	Height (mm)		
LFB14505	AA	1.5	2900	2850	14.5×50.5	0.8	15.5
LFB10450	AAA	1.5	1100	950	10.5×45.5	0.8	7

### LFB14505 AA 2900mAh Specification

Items	Specification
Nominal Voltage	1.70V ~1.86V
Impedance	≤350mΩ
Typical Capacity (100mA)	2900 ±50 mAh
Working Voltage	1.30V at 1000mA discharge rate
Max. Discharge Current	2000 mA continuous
Discharge Cut-off Voltage	0.80V
Volume	8.0 cubic centimeters
Weight	Approx. 15.0~15.8 g
Lithium Content	Less than 1 gram per cell
Dimensions	Diameter: 14.0±0.5 mm
	Height: 49.85±0.65 mm
Operating Temp.	-20 °C to 60 °C
Storage Temp.	-20 °C to 40 °C
Storage Humidity	≤75 %
Shell Life	5 Years

Dimensions in mm(inches)



### LFB10450 AAA 110mAh Specification

Items	Specification
Nominal Voltage	1.70V ~1.86V
Impedance	≤450mΩ
Typical Capacity (100mA)	1100 ±50 mAh
Working Voltage	1.30V at 350mA discharge rate
Max. Discharge Current	1000 mA continuous
Discharge Cut-off Voltage	0.80V
Volume	3.8 cubic centimeters
Weight	Approx. 6.8~7.5 g
Lithium Content	Less than 0.5 gram per cell
Dimensions	Diameter: 10.0±0.5 mm
	Height: 43.9±0.6mm
Operating Temp.	-20 °C to 60 °C
Storage Temp.	-20 °C to 40 °C
Storage Humidity	≤75 %
Shell Life	5 Years

Dimensions in mm(inches)

